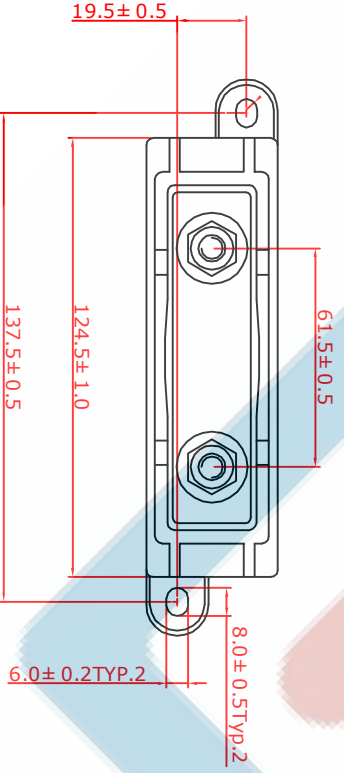
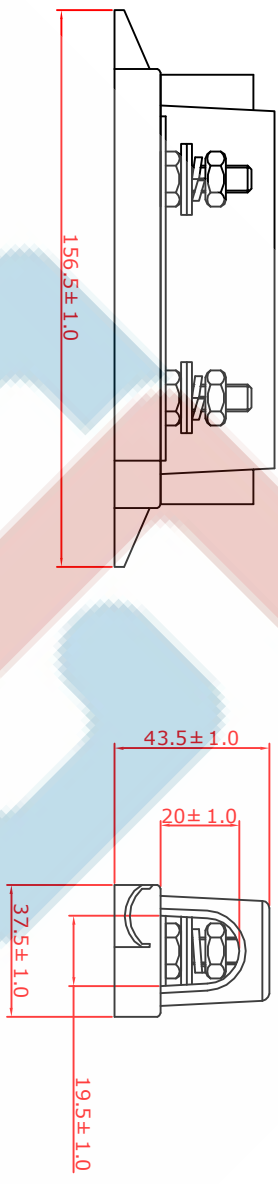


1 2 3 4 5 6 7 8

GFEEFUSE ANS-500 FUSE HOLDER  
<http://www.gfefuse.cn>

Concentration; automobile fuse and fuse seat

DRAWING REVISIONS				
REV	S/N	DESCRIPTION	APPROVED	DATE
A	20091210-011	ORIGINAL RELEASE		



NOTES: UNLESS OTHERWISE SPECIFIED.

- the fuseholder shown are for bolt-on fuse ANS-500 GFEEFUSE
- rating: DC32V400A; AC220V400A; Matching: GFEEFUSE ANL-A series fork bolt fuses

Note: No change in product size is notified

ITEM	P/N	DESCRIPTION	QTY	Material	REMARKS
7	PL-ANL-1	Cover	2	PVC	Black
6	NT-ANL-1	Cover	1	PC	Natruie
5	DQ-ANL	spacer	4	carbon steel	Au plated
4	SP-ANL	Spring	2	carbon steel	Au plated
3	NT-ANL	Nut	4	carbon steel	Au plated
2	BL-ANL	Bolt	2	carbon steel	Au plated
1	PB-ANL	PBT BASE	1	PBT 30% GF	Black

Dongguan GongFu Electronics Co., Ltd.

UNLESS OTHERWISE STATED		Fuseholder GFEEFUSE ANS-500		CUSTOMER
WALL THICKNESS	MM	FOR ANL bolt-on Fuse		
LINEAR	XX	±0.15	MM	
ANGULAR	XXX	±0.05	MM	
DRAFT ANGLE/SIDE	0.5 ° MAX	DEG	DIGN	07-12-09
BURR & FLASH	0.10	MAX	DFTS	07-12-09
BREAK CORNERS	0.20	R. MAX	CHKD	
DRAWING LINE RESOLUTION	0.05	MAX	APPR	

UNLESS OTHERWISE STATED		Fuseholder GFEEFUSE ANS-500		CUSTOMER
WALL THICKNESS	MM	FOR ANL bolt-on Fuse		
LINEAR	XX	±0.15	MM	
ANGULAR	XXX	±0.05	MM	
DRAFT ANGLE/SIDE	0.5 ° MAX	DEG	DIGN	07-12-09
BURR & FLASH	0.10	MAX	DFTS	07-12-09
BREAK CORNERS	0.20	R. MAX	CHKD	
DRAWING LINE RESOLUTION	0.05	MAX	APPR	

1 2 3 4 5 6 7 8

A